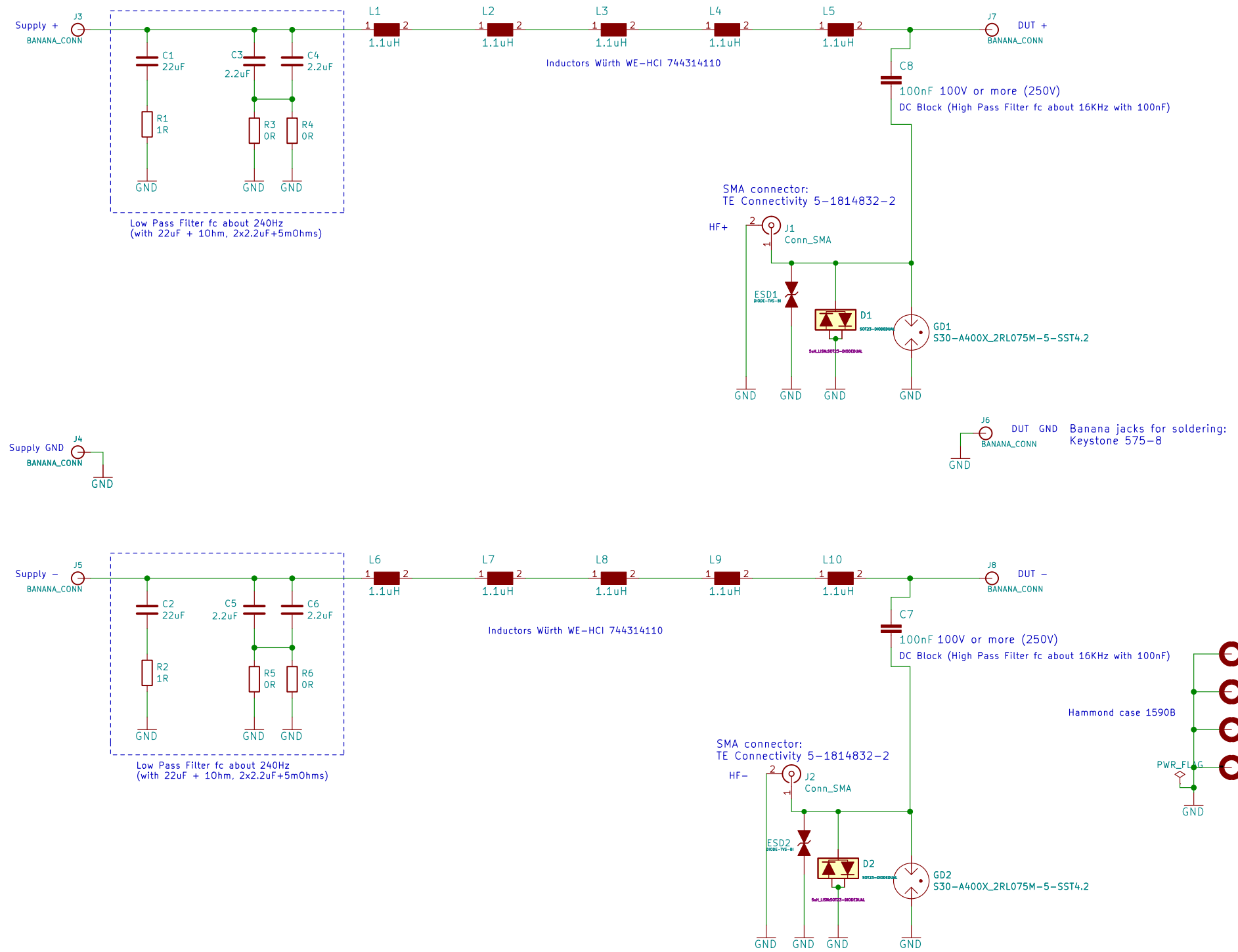


HydraSCA-LISN

5μH Dual DC-LISN SCA (50V / 5A)

1590BBK
CASE_HAMMOND_1590BBK1



Credits to: Jay_Diddy_B & Noy (eevblog forum) & F.Siebel
B.VERNOUX (2022)

Sheet: /
File: HydraSCA-LISN_5uH_LISN_SCA.kicad_sch

Title: HydraSCA-LISN (Dual 5uH LISN SCA)

Size: A3 Date: 2022-10-01
KiCad E.D.A. kicad (6.0.8)

Rev: V1 R1
Id: 1/1