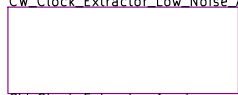
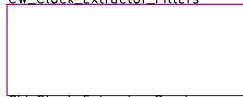


CW\_Clock\_Extractor\_Low\_Noise\_Amp



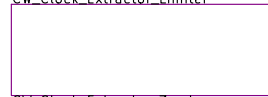
CW\_Clock\_Extractor\_1.sch

CW\_Clock\_Extractor\_Filters



CW\_Clock\_Extractor\_2.sch

CW\_Clock\_Extractor\_Limiter



CW\_Clock\_Extractor\_3.sch

Sheet: /  
File: CW\_Clock\_Extractor.sch

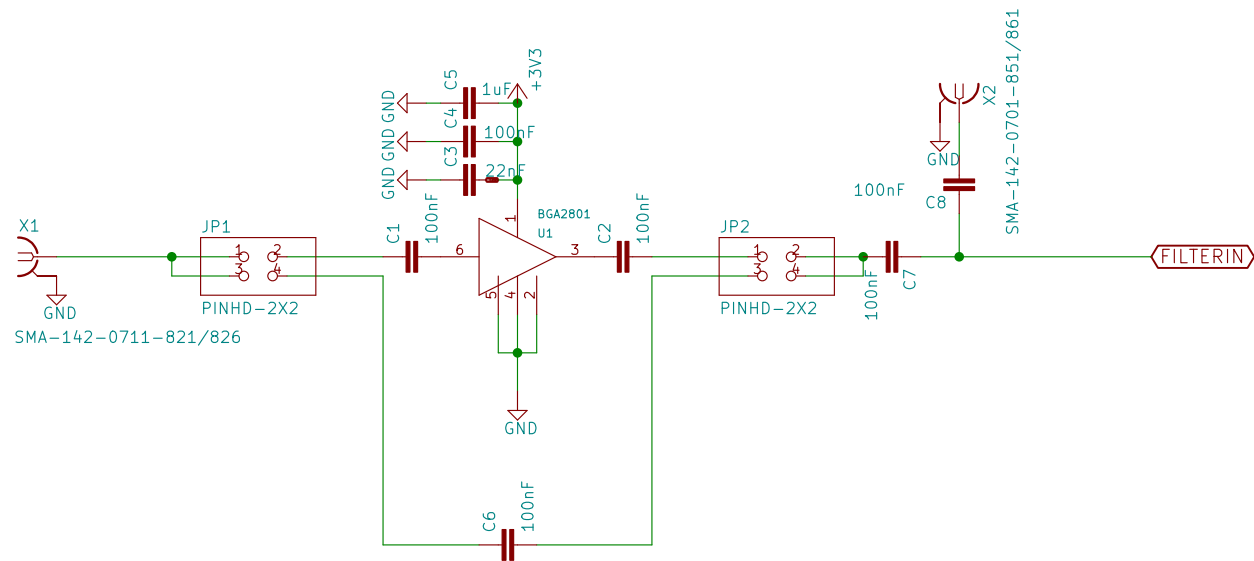
**Title: Clock Recovery**

Size: A4 Date: 2018-02-19

Rev: R0

KiCad E.D.A. kicad (2018-02-15 revision 29b28de31)-makepkg

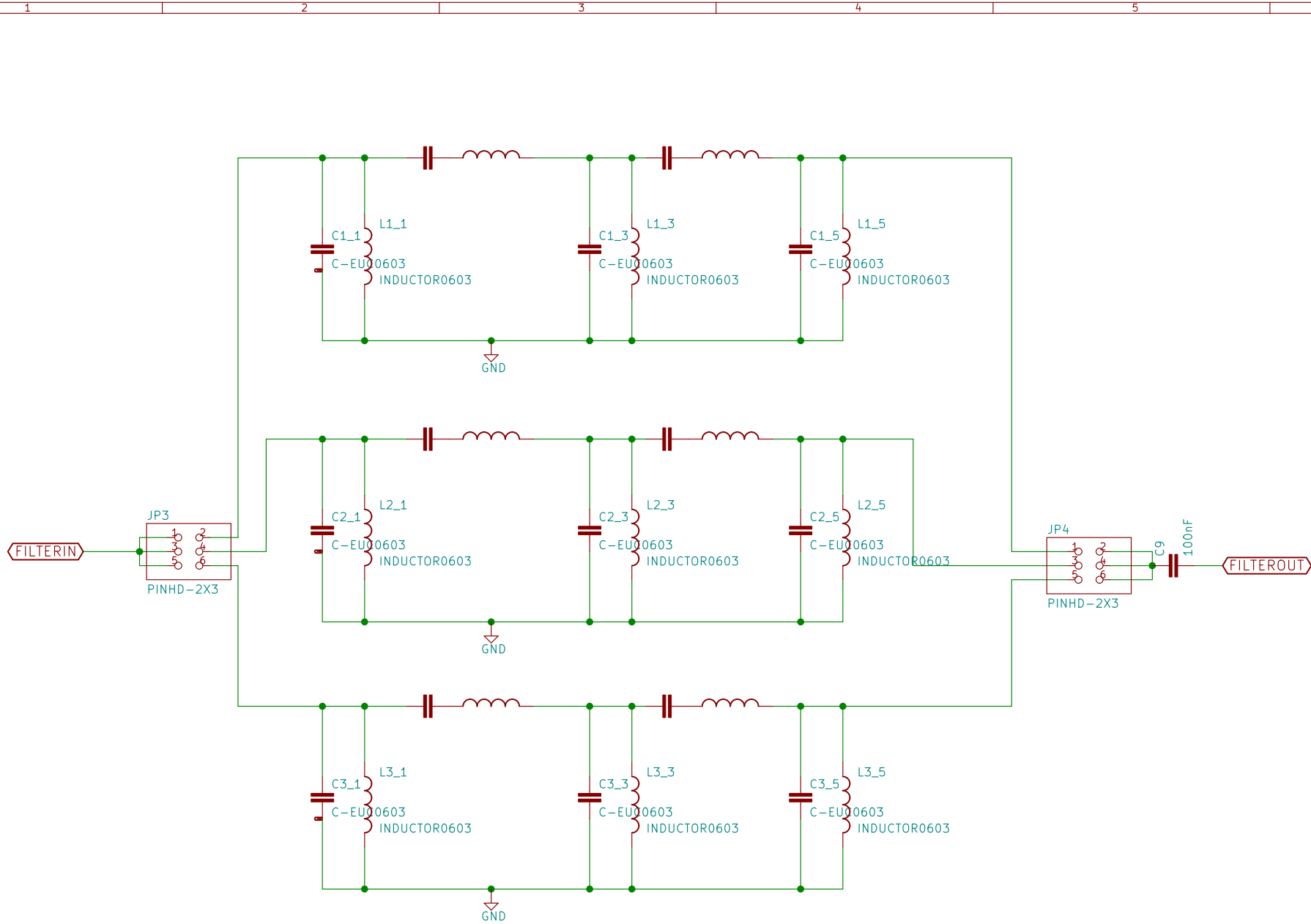
Id: 1/4



Sheet: /CW\_Clock\_Extractor\_Low\_Noise\_Amp/  
 File: CW\_Clock\_Extractor\_1.sch

**Title: Clock Recovery**

Size: A4	Date: 2018-02-19	Rev: R0
KiCad E.D.A. kicad (2018-02-15 revision 29b28de31)-makepkg		Id: 2/4

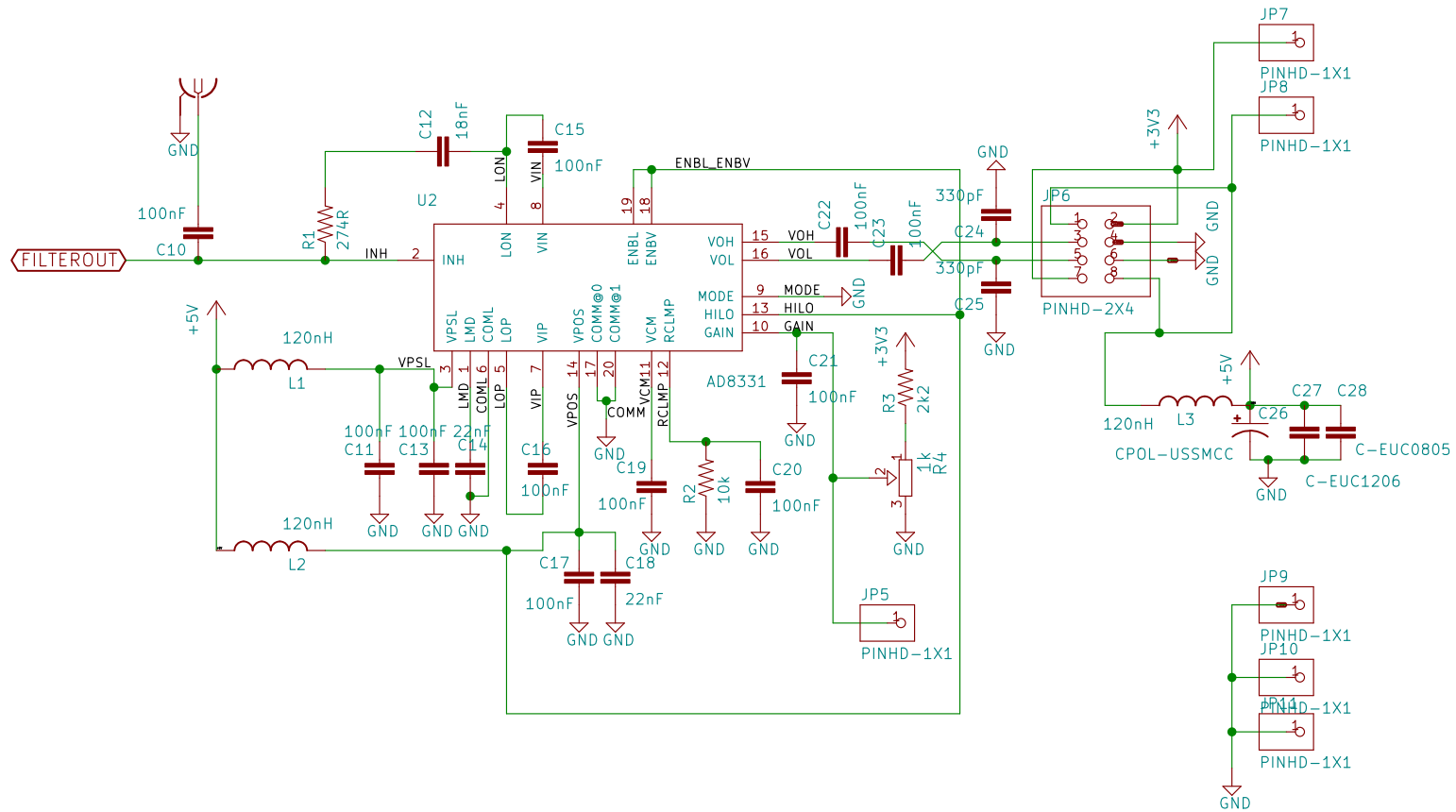


Sheet: /CW\_Clock\_Extractor\_Filters/  
 File: CW\_Clock\_Extractor\_2.sch

**Title: Clock Recovery**

Size: User      Date: 2018-02-19  
 KiCad E.D.A. kicad (2018-02-15 revision 29b28de31)-makepkg

Rev: R0  
 Id: 3/4



Sheet: /CW\_Clock\_Extractor\_Limiter/  
 File: CW\_Clock\_Extractor\_3.sch

**Title: Clock Recovery**

Size: A4	Date: 2018-02-19	Rev: R0
KiCad E.D.A. kicad (2018-02-15 revision 29b28de31)-makepkg		Id: 4/4